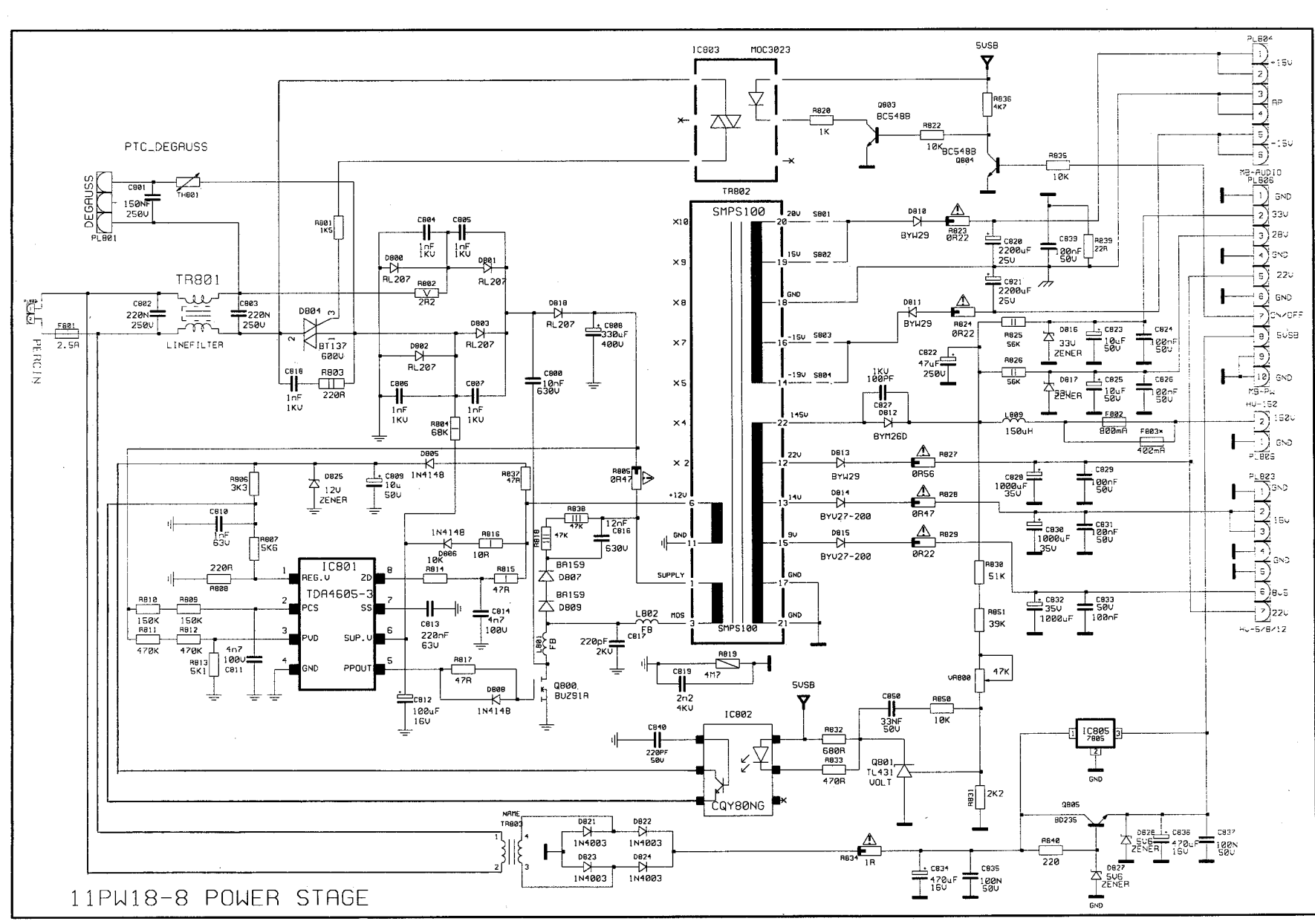
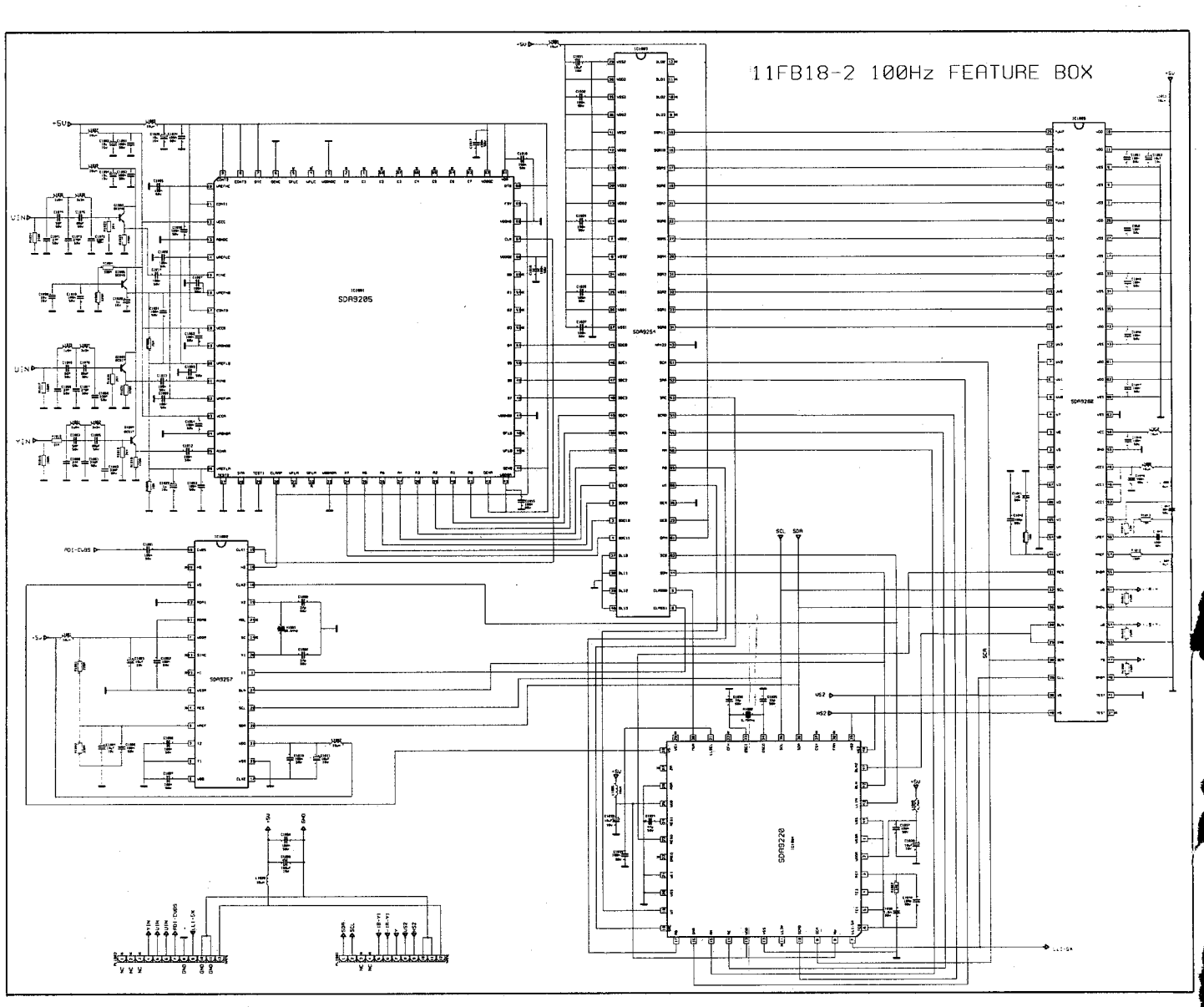


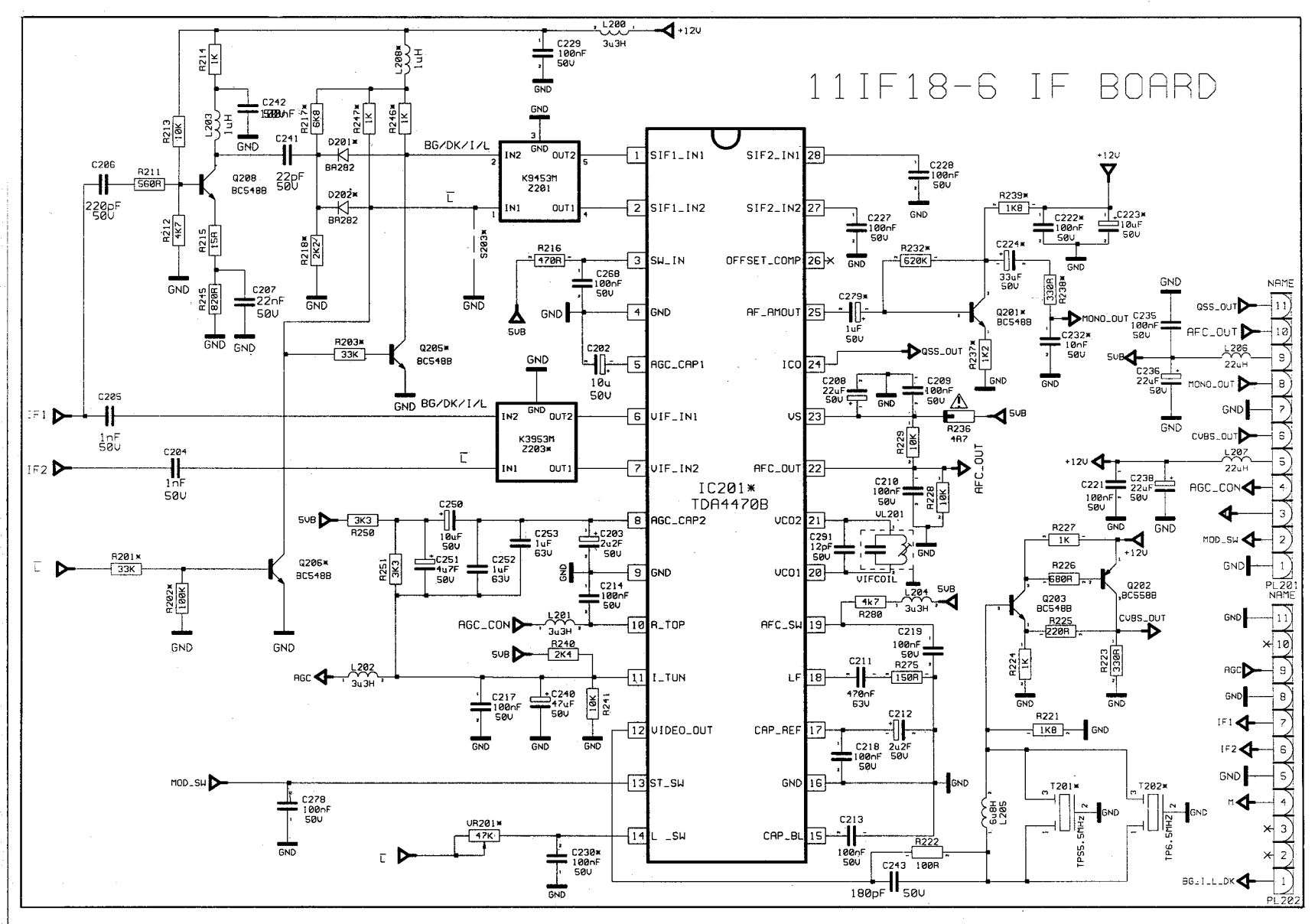
11DS18-5 DOLBY/SWITCH BOARD



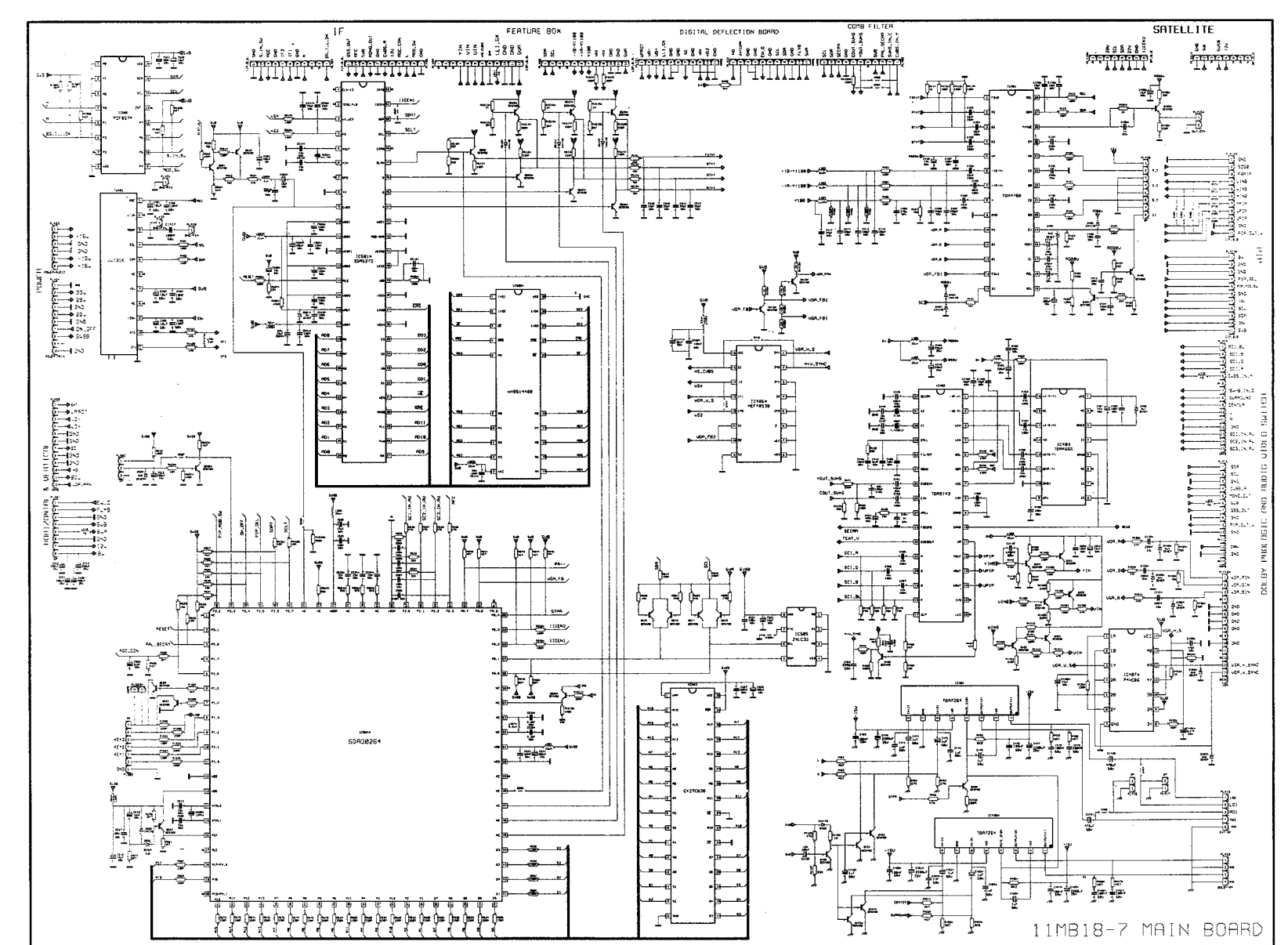
11PW18-8 POWER STAGE



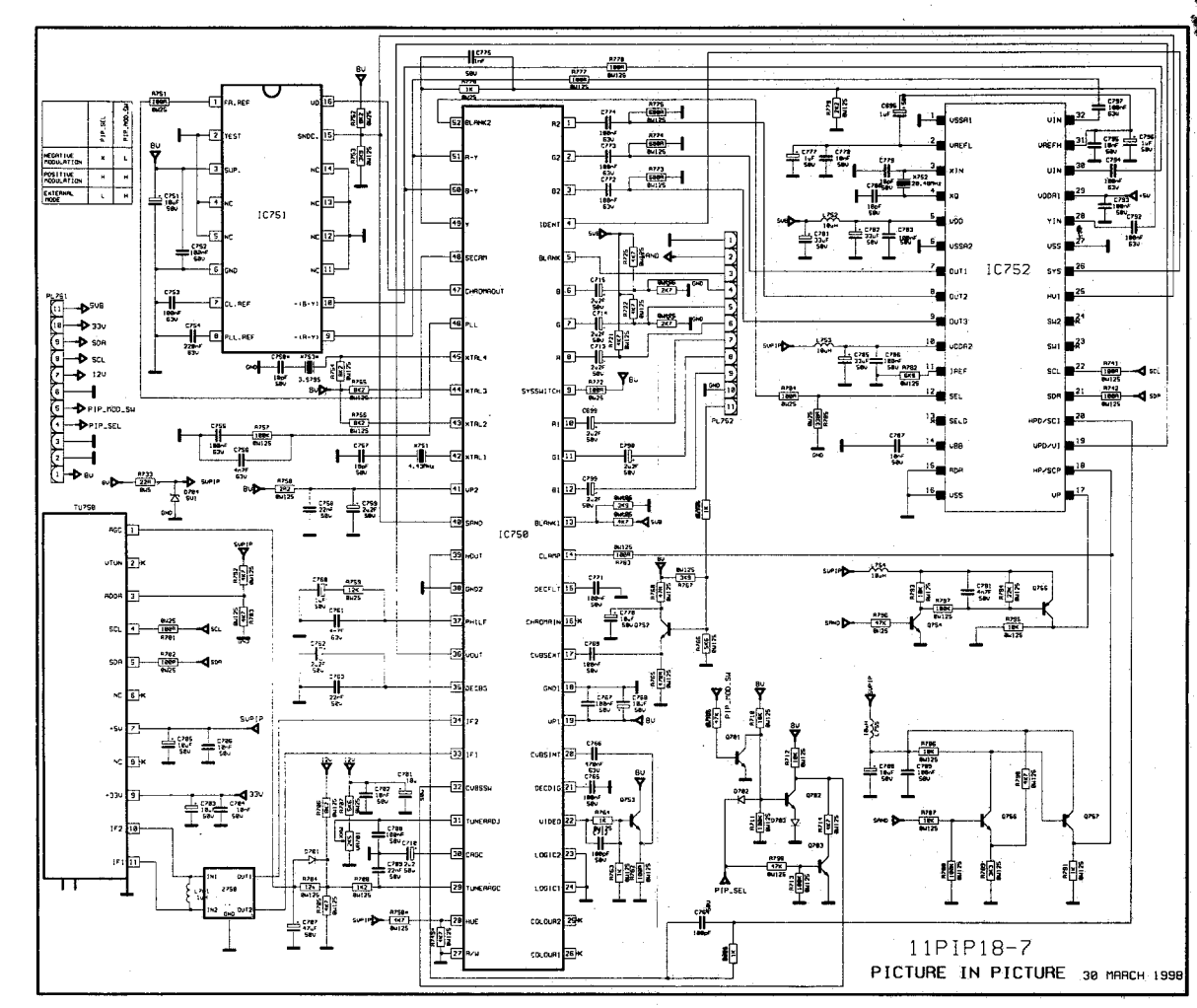
11FB18-2 100HZ FEATURE BOX



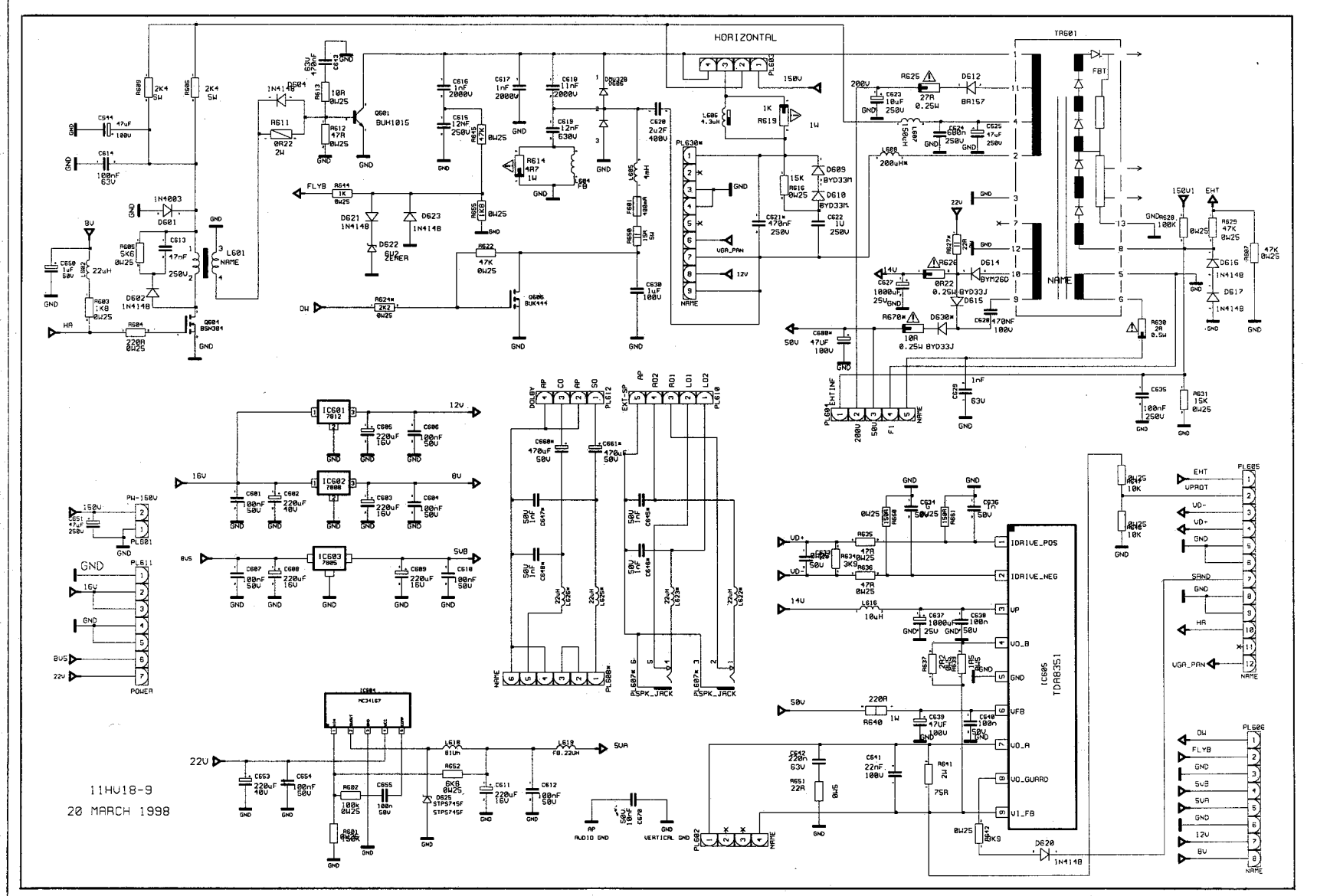
11IF18-6 IF BOARD



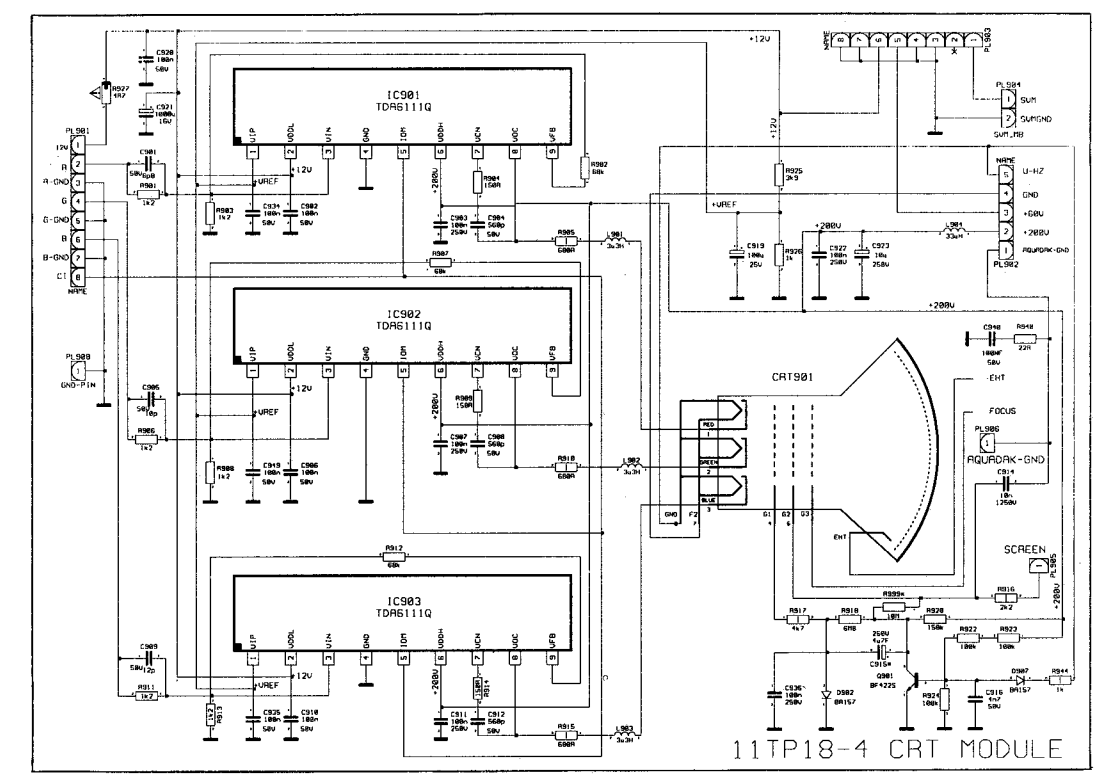
11MB18-7 MAIN BOARD



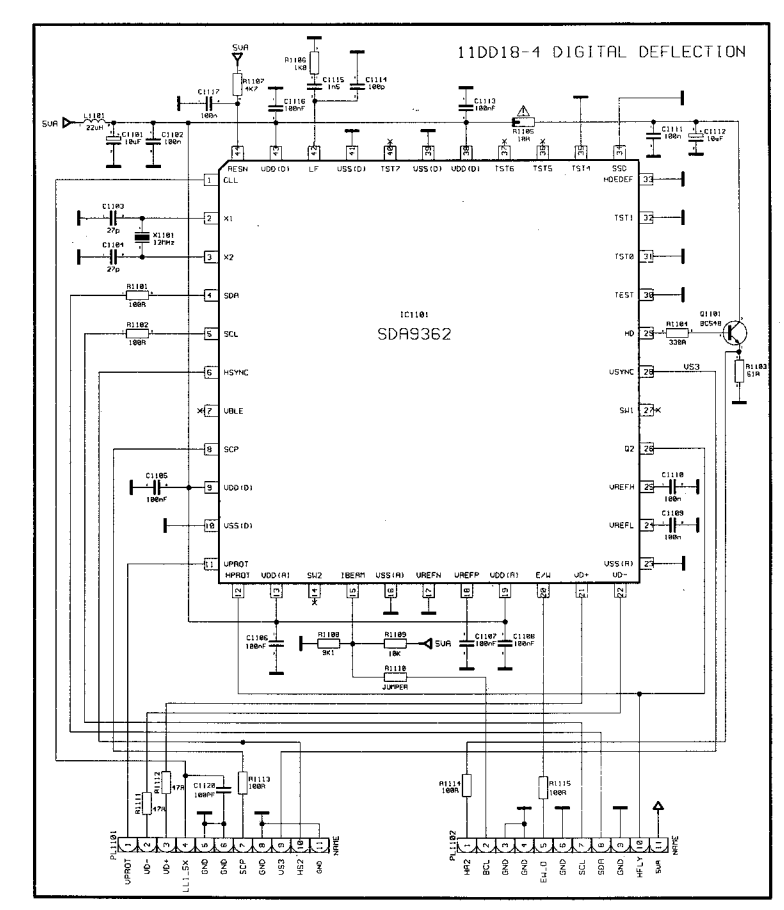
11PI18-7 PICTURE IN PICTURE



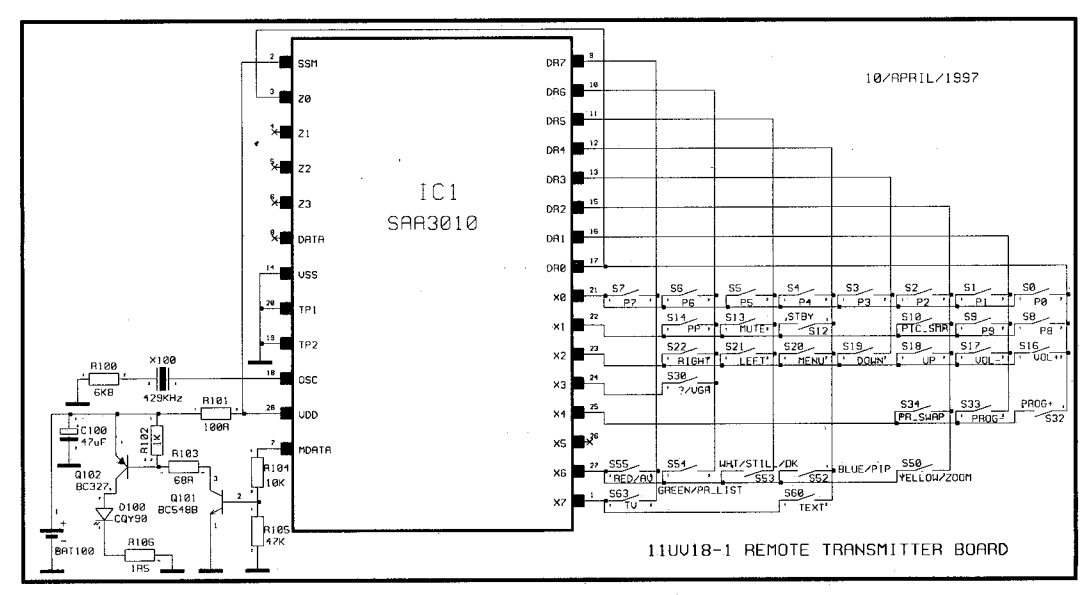
11HU18-9  
28 MARCH 1998



11TP18-4 CRT MODULE



11DD18-4 DIGITAL DEFLECTION



11UW18-1 REMOTE TRANSMITTER BOARD

